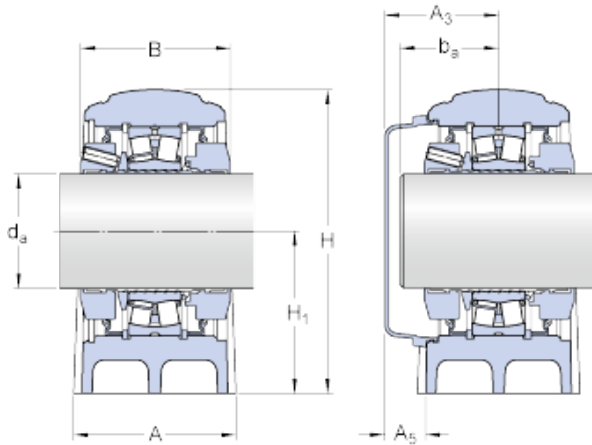




Jinan Kaiming Bearing Co., Ltd.



SKF SYNT 45 F bearing units

Bearing No. SYNT 45 F

Size	45x60x65 mm
Bore Diameter	45 mm
Outer Diameter	60 mm
Width	65 mm
d_a	45 mm
A	60 mm
B	65 mm
H	118 mm
H_1	60 mm
H_2	25 mm
J	170 mm
L	205 mm
H	20 mm
N_1	15 mm
J_6	185 mm
J_7	21 mm
N_4 - max.	6 mm
A_3	52 mm
A_5	23 mm
b_a - min.	34 mm
b_a - max.	43 mm
Basic dynamic load rating - C	102 kN
Basic static load rating - C_0	98 kN
Fatigue load limit - P_u	10.8 kN

SYNT 45 F Bearing 2D drawings and 3D CAD models



Jinan Kaiming Bearing Co., Ltd.

Limiting speed	3500 r/min
Calculation factor - e	0.26
Calculation factor - Y_1	2.6
Calculation factor - Y_2	3.9
Diameter - d_m	65 mm
Basic Designation bearing	22209 E
P_a	15 kN
P_{0°	170 kN
P_{55°	280 kN
P_{90°	170 kN
P_{120°	110 kN
P_{150°	100 kN
P_{180°	115 kN
Mass bearing unit	4 kg
Category	Bearings
Inventory	0.0
Manufacturer Name	SKF
Minimum Buy Quantity	N/A
Weight / Kilogram	0
EAN	7316574304776
Product Group	M06110
d_a	45 mm
H_1	60 mm
H_2	25 mm
N	20 mm
N_1	15 mm
A_3	52 mm
A_5	23 mm
b_a min.	34 mm
b_a max.	43 mm
J_6	185 mm



Jinan Kaiming Bearing Co., Ltd.

J_7	21 mm
N_4 max.	6 mm
Basic dynamic load rating C	102 kN
Basic static load rating C_0	98 kN
Fatigue load limit P_u	10.8 kN
Calculation factor e	0.26
Calculation factor Y_1	2.6
Calculation factor Y_2	3.9
Bearing mean diameter d_m	65 mm
P_{0°	170 kN
P_{55°	280 kN
P_{90°	170 kN
P_{120°	110 kN
P_{150°	100 kN
P_{180°	115 kN
P_a	15 kN
Attachment bolt diameter G	12 mm
Tightening torque for attachment bolts	80 N · m
Grub screws	3 x M 6
Tightening torque for grub screws	8 N · m
Grease quantity for relubrication	4 g