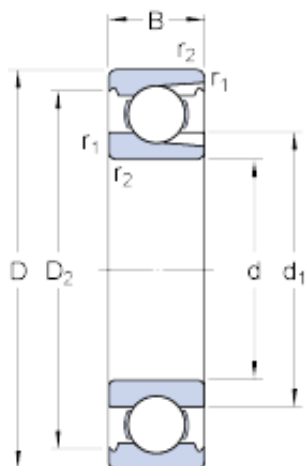




Jinan Kaiming Bearing Co., Ltd.



50 mm x 90 mm x 20 mm SKF 210 deep groove ball bearings

Bearing No. 210

210 Bearing 2D drawings and 3D CAD models

Size	90x50x20 mm
Bore Diameter	90 mm
Outer Diameter	50 mm
Width	20 mm
d	50 mm
D	90 mm
B	20 mm
d ₁	62.51 mm
D ₂	81.61 mm
r _{1,2} - min.	1.1 mm
d _a - min.	57 mm
D _a - max.	83 mm
r _a - max.	1 mm
Basic dynamic load rating - C	39.1 kN
Basic static load rating - C ₀	34.5 kN
Fatigue load limit - P _u	1.5 kN
Reference speed	13000 r/min
Limiting speed	8000 r/min
Calculation factor - k _r	0.04
Category	Single Row Ball Bearings
Inventory	1.0
Manufacturer Name	SKF
Minimum Buy Quantity	N/A
Weight / Kilogram	0.45



Jinan Kaiming Bearing Co., Ltd.

EAN	7316576679698
Product Group	B04311
Enclosure	Open
Precision Class	ABEC 1 ISO P0
Maximum Capacity / Filling Slot	Yes
Rolling Element	Ball Bearing
Snap Ring	No
Internal Special Features	No
Cage Material	Steel
Internal Clearance	C0-Medium
Inch - Metric	Metric
Long Description	50MM Bore; 90MM Outside Diameter; 20MM Outer Race Diameter; Open; Ball Bearing; ABEC 1 ISO P0; Yes Filling Slot; No Snap Ring; No Internal Special Features
Category	Single Row Ball Bearing
UNSPSC	31171504
Harmonized Tariff Code	8482.10.50.68
Noun	Bearing
Keyword String	Ball
Manufacturer URL	http://www.skf.com
Manufacturer Item Number	210
Weight / LBS	0.99
Bore	1.969 Inch 50 Millimeter
Outside Diameter	3.543 Inch 90 Millimeter
Outer Race Width	0.787 Inch 20 Millimeter
bore diameter:	50 mm
static load capacity:	34.5 kN
outside diameter:	90 mm
precision rating:	ABEC 3 (ISO Class 6)



Jinan Kaiming Bearing Co., Ltd.

overall width:	20 mm
finish/coating:	Uncoated
bore type:	Round
cage material:	Steel
closure type:	Open
outer ring width:	20 mm
row type & fill slot:	Single Row Filling Slot
fillet radius:	1 mm
snap ring included:	Without Snap Ring
maximum rpm:	8000 RPM
internal clearance:	C0
series:	21
dynamic load capacity:	39.1 kN
thrust application warning:	This product can not be used in Thrust Applications
d_1	62.51 mm
D_2	81.61 mm
$r_{1,2}$ min.	1.1 mm
d_a min.	57 mm
D_a max.	83 mm
r_a max.	1 mm
Basic dynamic load rating C	39.1 kN
Basic static load rating C_0	34.5 kN
Fatigue load limit P_u	1.46 kN
Calculation factor k_r	0.04
Mass bearing	0.5 kg