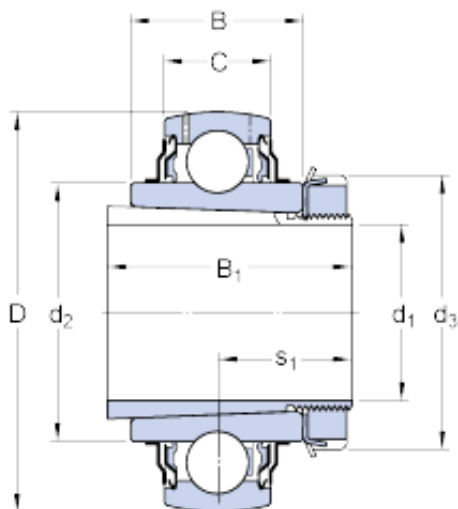




## Jinan Kaiming Bearing Co., Ltd.

45 mm x 90 mm x 37 mm SKF YSA 210-2FK + H 2310 deep groove ball bearings

Bearing No. YSA 210-2FK + H 2310



YSA 210-2FK + H 2310 Bearing 2D drawings and 3D CAD models

Size	90x45x55 mm
Bore Diameter	90 mm
Outer Diameter	45 mm
Width	55 mm
$d_1$	45 mm
D	90 mm
$B_1$	55 mm
B	37 mm
C	22 mm
$d_2$	62.51 mm
$d_3$	70 mm
$s_1$ - ?	31.1 mm
Basic dynamic load rating - C	35.1 kN
Basic static load rating - $C_0$	23.2 kN
Fatigue load limit - $P_u$	0.98 kN
Limiting speed	4000 r/min
Calculation factor - $f_0$	14
d	45 mm
$B_1$	55 mm
$d_1$	62.51 mm
$d_3$	70 mm
$s_1$	31.1 mm
Basic dynamic load rating C	35.1 kN
Basic static load rating $C_0$	23.2 kN



## Jinan Kaiming Bearing Co., Ltd.

Fatigue load limit $P_u$	0.98 kN
Limiting speed <sup>1)</sup>	4000 r/min
Calculation factor $f_0$	14
Mass bearing + adapter sleeve	0.97 kg
Associated spanner	HN 10-11
Recommended lock nut tightening angle	115 °