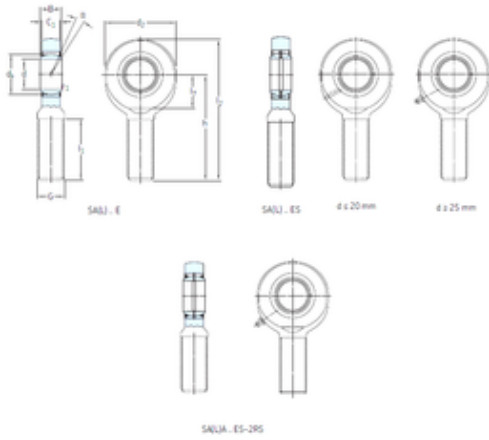




# Jinan Kaiming Bearing Co., Ltd.



## SKF SA12E plain bearings

Bearing No. SA12E

Bore Diameter	12 mm
d	12 mm
d2	35 mm
dk	18 mm
h	54 mm
l1 min.	28 mm
l2 max.	73 mm
l7 min.	17 mm
r1 min.	0,3 mm
B	10 mm
C1	8,5 mm
Thread (G)	M12 Tolerance 6g
Angle	10 °
Weight	0,078 Kg
Basic dynamic load rating (C)	10,8 kN

SA12E Bearing 2D drawings and 3D CAD models