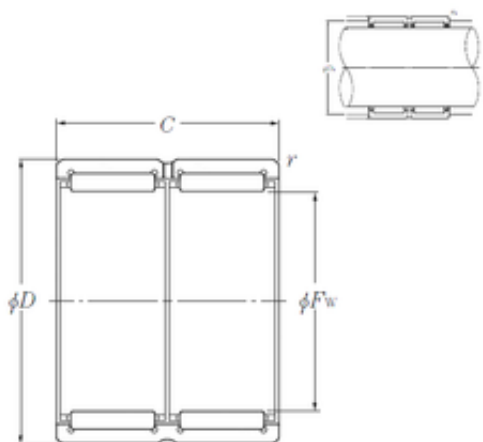




Jinan Kaiming Bearing Co., Ltd.

NTN RNA6910R needle roller bearings



Bearing No. RNA6910R

Size	58x72x40 mm
Bore Diameter	58 mm
Outer Diameter	72 mm
Width	40 mm
Fw	58 mm
D	72 mm
C	40 mm
r min.	0,6 mm
Da max.	68 mm
ra max.	0,6 mm
Weight	0,32 Kg
Basic dynamic load rating (C)	74 kN
Basic static load rating (C0)	139 kN
(Grease) Lubrication Speed	4700 r/min
rs min	0.6 mm
Dw	5 mm
Lw	14.8 mm
Lubrication hole on outer ring	Oui/Yes
k	3 mm
Radial clearance class	CN
Precision class	P0
Mass	0.32 kg
Cr	74 kN
C0r	139 kN
Nlim (grease)	4,700 rpm

RNA6910R Bearing 2D drawings and 3D CAD models



Jinan Kaiming Bearing Co., Ltd.

Nlim (oil)	7,000 rpm
Min operating temperature, Tmin	-20 ° C
Max operating temperature, Tmax	120 ° C
Characteristic cage frequency, FTF	0.46 Hz
Characteristic rolling element frequency, BSF	12.52 Hz
Characteristic outer ring frequency, BPF0	11.97 Hz
Characteristic inner ring frequency, BPF1	14.03 Hz
Da max	68 mm
ras max	0.6 mm
Category	Bearings
Inventory	0.0
Manufacturer Name	NTN
Minimum Buy Quantity	N/A
Weight / Kilogram	0.324
Product Group	B04144