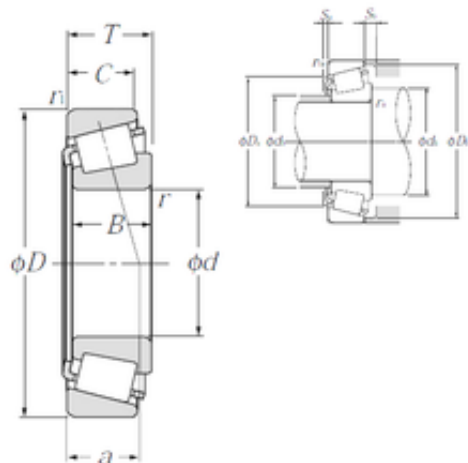




Jinan Kaiming Bearing Co., Ltd.



65 mm x 110 mm x 34 mm NTN 4T-33113 tapered roller bearings

Bearing No. 4T-33113

Size	65x110x34 mm
Bore Diameter	65 mm
Outer Diameter	110 mm
Width	34 mm
d	65 mm
D	110 mm
T	34 mm
B	34 mm
C	26,5 mm
ra1 max.	1,5 mm
a	26 mm
r min.	1,5 mm
r1 min.	1,5 mm
da min.	73,5 mm
Da min	96 mm
Da max.	101,5 mm
db max.	73 mm
Db min.	106 mm
ra max.	1,5 mm
Sa	6 mm
Sb	7,5 mm
Weight	1,28 Kg
Basic dynamic load rating (C)	144 kN
Basic static load rating (C0)	211 kN
(Grease) Lubrication Speed	3 300 r/min

4T-33113 Bearing 2D drawings and 3D CAD models



Jinan Kaiming Bearing Co., Ltd.

(Oil) Lubrication Speed	4 400 r/min
Calculation factor (e)	0,39
Calculation factor (Y0)	0,85
d1	88.5 mm
rs min	1.5 mm
r1s min	1.5 mm
e	0.39
Y2	1.55
Y0	0.85
Mass	1.28 kg
ISO 355 reference	T3DE065
Dynamic load, C	144 kN
Rating life coefficient, A2	1.4
Static load, C0	211 kN
Fatigue limit load, Cu	25.7 kN
Nlim (oil)	4,400 rpm
Nlim (grease)	3,300 rpm
Min operating temperature, Tmin	-40 ° C
Max operating temperature, Tmax	120 ° C
Characteristic cage frequency, FTF	0.44 Hz
Characteristic rolling element frequency, BSF	7.8 Hz
Characteristic outer ring frequency, BPF0	9.66 Hz
Characteristic inner ring frequency, BRFI	12.34 Hz
da max	73 mm
db min	73.5 mm
Da max	101.5 mm
Db min	106 mm
Ca min	6 mm



Jinan Kaiming Bearing Co., Ltd.

Cb min	7.5 mm
ra max	1.5 mm
r1a max	1.5 mm
Category	Roller Bearings
Inventory	0.0
Manufacturer Name	NTN
Minimum Buy Quantity	N/A
Weight / Kilogram	0
EAN	4547359530414
Product Group	B04334