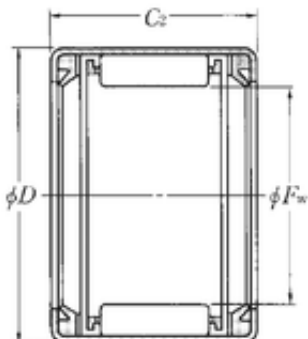




Jinan Kaiming Bearing Co., Ltd.

NTN HK1516LL needle roller bearings



HK1516LL Bearing 2D drawings and 3D CAD models

Bearing No. HK1516LL

Size	15x21x16 mm
Bore Diameter	15 mm
Outer Diameter	21 mm
Width	16 mm
Fw	15 mm
D	21 mm
C	16 mm
Weight	0,014 Kg
Basic dynamic load rating (C)	7,5 kN
Basic static load rating (C0)	9,1 kN
Category	Roller Bearings
Inventory	0.0
Manufacturer Name	NTN
Minimum Buy Quantity	N/A
Weight / Kilogram	0.014
EAN	4547359071351
Product Group	B04144
bore diameter:	15 mm
static load capacity:	9100 N
outside diameter:	21 mm
bearing material:	Steel
overall width:	16 mm
cage material:	Steel
drawn cup type:	Open Ends
maximum rpm:	10000 RPM
closure type:	Double Sealed



Jinan Kaiming Bearing Co., Ltd.

seal material:	Nitrile Rubber
number of rows:	One
precision rating:	ISO Class 0
operating temperature range:	-40 to 250 ° F, -40 to 120 ° C
series:	HK
dynamic load capacity:	7500 N
lubrication hole type:	No Hole