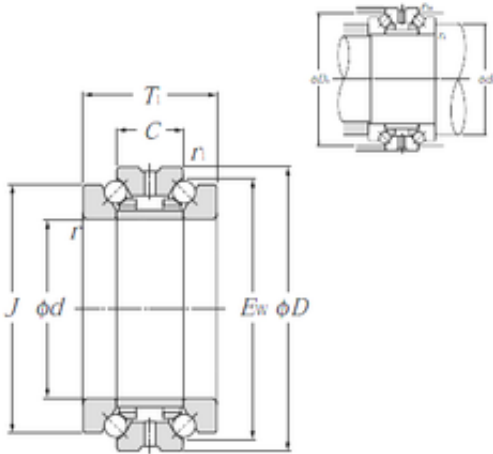




Jinan Kaiming Bearing Co., Ltd.

NTN 562030M thrust ball bearings

Bearing No. 562030M



562030M Bearing 2D drawings and 3D CAD models

Bore Diameter	155 mm
Outer Diameter	206 mm
d	155 mm
D	225 mm
Ew	206 mm
T1	90 mm
C	45 mm
ra1 max.	1 mm
r min.	2,1 mm
r1 min.	1,1 mm
J	200 mm
da min.	178 mm
Da max.	215 mm
ra max.	2 mm
Weight	10 Kg
Basic dynamic load rating (C)	147 kN
Basic static load rating (C0)	525 kN
(Grease) Lubrication Speed	1 900 r/min