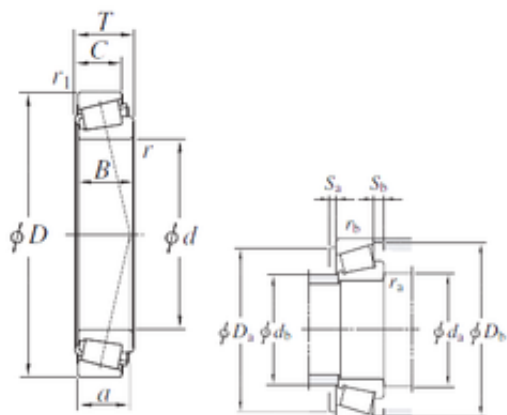




Jinan Kaiming Bearing Co., Ltd.

100 mm x 180 mm x 46 mm KOYO 32220JR
tapered roller bearings

Bearing No. 32220JR



32220JR Bearing 2D drawings and 3D CAD models

Size	100x180x49 mm
Bore Diameter	100 mm
Outer Diameter	180 mm
Width	49 mm
d	100 mm
D	180 mm
T	49 mm
B	46 mm
C	39 mm
a	42,1 mm
r min.	3 mm
r1 min.	2,5 mm
r2 min.	2,5 mm
da min.	114 mm
da max	114 mm
Da min	154 mm
Da max.	168 mm
db max.	114 mm
Db min.	171 mm
ra max.	2,5 mm
rb max.	2 mm
Db	171 mm
Weight	5,21 Kg
Basic dynamic load rating (C)	347 kN
Basic static load rating (C0)	495 kN



Jinan Kaiming Bearing Co., Ltd.

(Grease) Lubrication Speed	2100 r/min
(Oil) Lubrication Speed	2800 r/min
Calculation factor (e)	0,42
Calculation factor (Y0)	0,79
Category	Tapered Roller Bearing Assemblies
Inventory	0.0
Manufacturer Name	KOYO
Minimum Buy Quantity	N/A
Weight / Kilogram	5.648
EAN	0605790021909
Product Group	B04334
Precision Class	Standard
Component	Assembly
Basic Number	32220
Number of Tapered Rows	Single Row
Inch - Metric	Metric
Other Features	High Load Capacity
Long Description	Assembly; Standard Precision; 100MM Bore; 180MM Outside Diameter; 49MM Assembly Width; Single Row of Rollers
Category	Tapered Roller Bearings Assembly
UNSPSC	31171516
Harmonized Tariff Code	8482.20.00.00
Noun	Bearing
Keyword String	Tapered
Manufacturer URL	http://www.koyousa.com
Manufacturer Item Number	32220JR
Weight / LBS	11.486
Assembly Width	1.929 Inch 49 Millimeter
Bore	3.937 Inch 100 Millimeter



Jinan Kaiming Bearing Co., Ltd.

Flange Outside Diameter	0 Inch 0 Millimeter
Outside Diameter	7.087 Inch 180 Millimeter
Bearing No.	32220JR
r(min)	3
r1(min)	2.5
Cr	435
C0r	495
Cu	63.9
Grease lub.	2100
Oil lub.	2800
a	42.1 mm
da(min)	114
db(max)	114
Da(max)	168
Da(min)	154
Db(min)	171
Sa(min)	5
Sb(min)	10
ra(max)	2.5
rb(max)	2
e	0.42
Y1	1.43
Y0	0.79
(Refer.)Mass(kg)	5.21