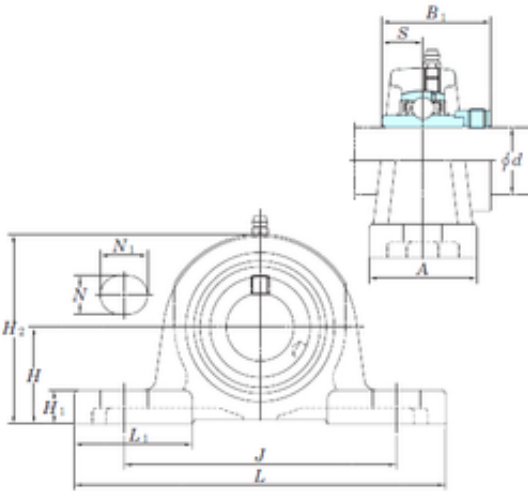




Jinan Kaiming Bearing Co., Ltd.

KOYO NAP215 bearing units

Bearing No. NAP215



NAP215 Bearing 2D drawings and 3D CAD models

Bore Diameter	75 mm
Width	82,6 mm
d	75 mm
A	74 mm
B1	92,1 mm
H	82,6 mm
H1	28 mm
H2	162 mm
J	217 mm
L	275 mm
L1	80 mm
N	25 mm
N1	30 mm
S	37,3 mm
Bolt (G)	M20
Weight	7,9 Kg
Basic dynamic load rating (C)	67,4 kN