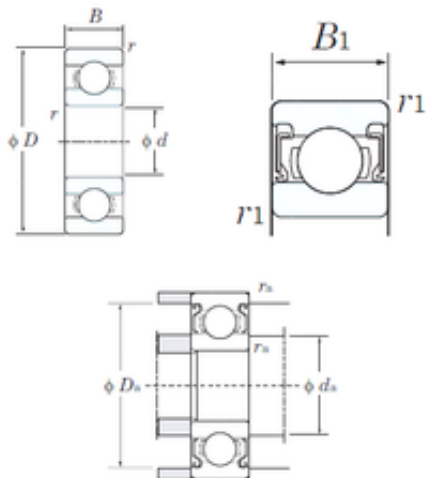




# Jinan Kaiming Bearing Co., Ltd.



6 mm x 13 mm x 5 mm KOYO W686-2RS deep groove ball bearings

Bearing No. W686-2RS

Size	6x13x5 mm
Bore Diameter	6 mm
Outer Diameter	13 mm
Width	5 mm
d	6 mm
D	13 mm
B	5 mm
C	5 mm
r min.	0,15 mm
r1 min.	0,15 mm
da min.	7,2 mm
Da max.	11,8 mm
ra max.	0,15 mm
Weight	0,0018 Kg
Basic dynamic load rating (C)	1,1 kN
Basic static load rating (C0)	0,44 kN
(Grease) Lubrication Speed	36000 r/min

W686-2RS Bearing 2D drawings and 3D CAD models