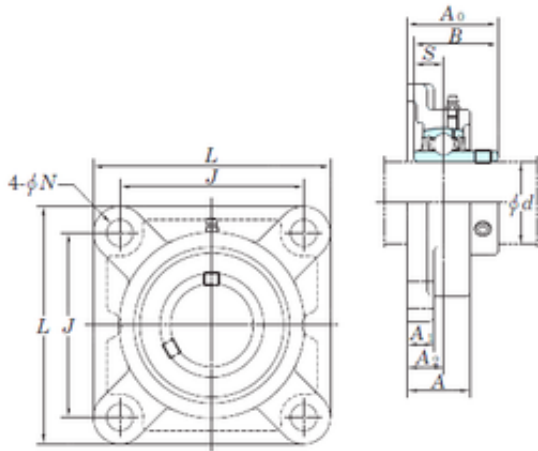




Jinan Kaiming Bearing Co., Ltd.

KOYO UCF210 bearing units



Bearing No. UCF210

Bore Diameter	50 mm
d	50 mm
A0	54,6 mm
A	40 mm
A1	16 mm
B	51,6 mm
J	111 mm
L	143 mm
N	16 mm
S	19 mm
Bolt (G)	M14
A2	22 mm
Weight	2,5 Kg
Basic dynamic load rating (C)	35,1 kN
Basic static load rating (C0)	23,3 kN
Bearing No.	UCF210
Bolt size	M14
Cr	35.1
C0r	23.3
f0	14.4
(Refer.)Unit mass(kg)	2.5
Nipple size	1/4-28UNF

UCF210 Bearing 2D drawings and 3D CAD models