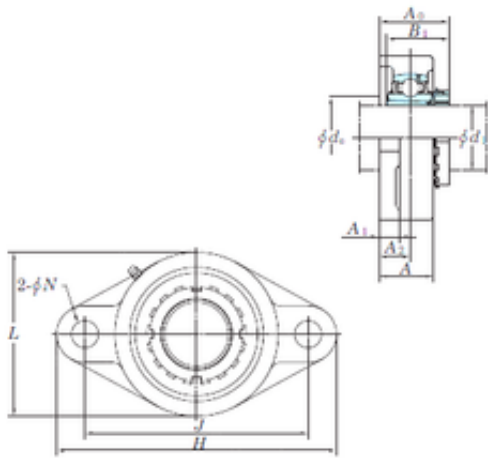




Jinan Kaiming Bearing Co., Ltd.

KOYO UKFL319 bearing units

Bearing No. UKFL319



UKFL319 Bearing 2D drawings and 3D CAD models

Bore Diameter	85 mm
d	85 mm
A0	111 mm
A	94 mm
A1	40 mm
B1	90 mm
H	405 mm
J	330 mm
L	250 mm
N	41 mm
Bolt (G)	M36
A2	59 mm
Weight	24,9 Kg
Basic dynamic load rating (C)	153 kN
Basic static load rating (C0)	119 kN